

 SpeakerCraft®


www.callm.com



Theater *In Motion* Experience



CEILING
SPEAKERS
www.callm.com



IT'S ABOUT TIME

REVOLUTION • INNOVATION • TRUTH • MOTION

SpeakerCraft

Thirty years ago, SpeakerCraft was formed by a group of dedicated individuals with a passion for sound. After inventing the in-wall speaker and manufacturing them for the most prominent companies in the business, we developed our own brand to address the ever-expanding need for quality sound in the home. Today, we are proud to be the largest supplier of custom - installed audio/video products in the world, having manufactured and sold millions of loudspeakers.

TIME

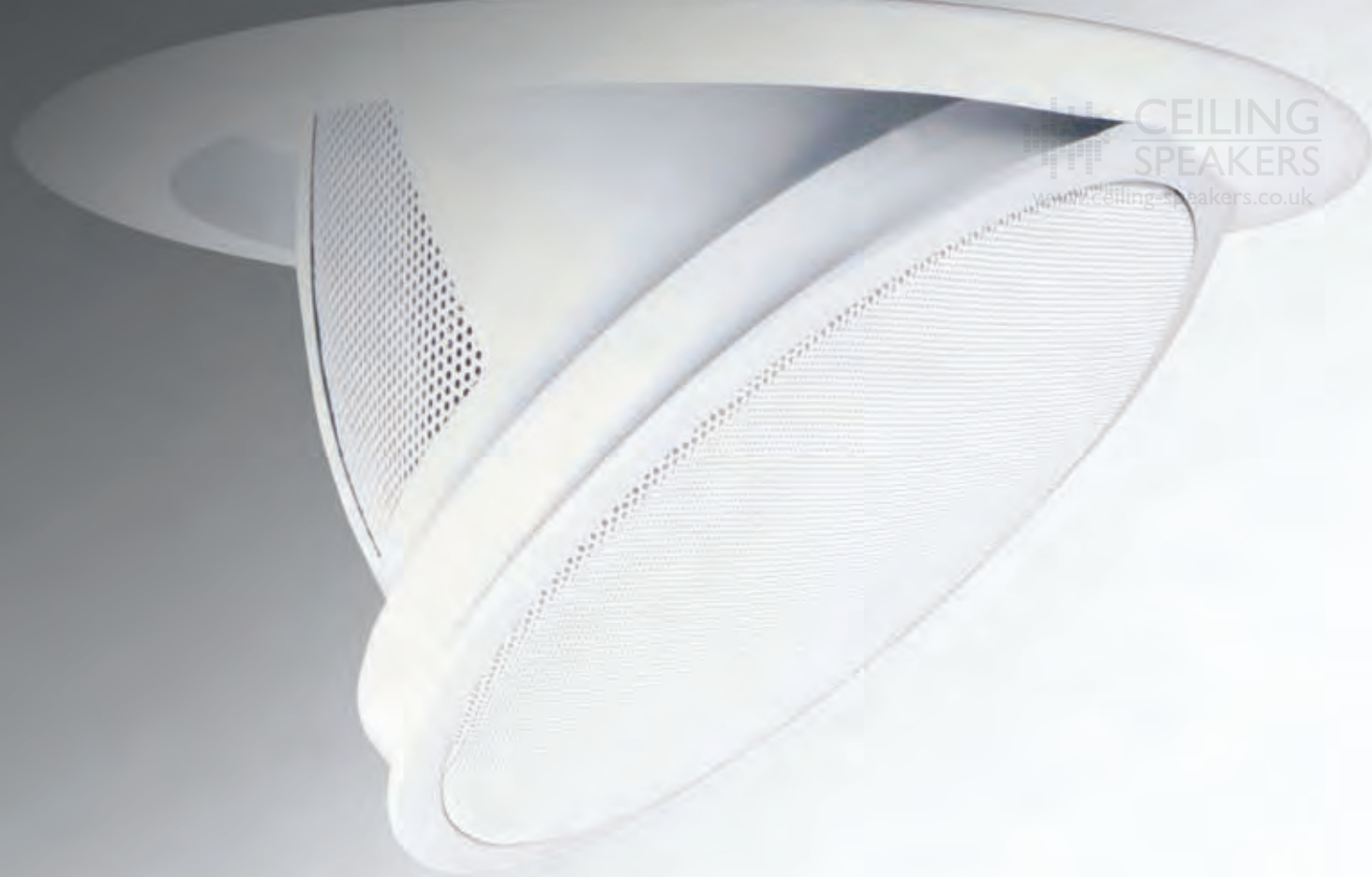
Theater *In Motion* Experience

As companies labor to entice people to purchase their products the words unique, innovative, new, improved and revolutionary are regularly and contemptuously attached to products that are anything but. This leads to substantial confusion when something truly extraordinary comes to market and the words of truly innovative companies are lost in a sea of others crying wolf. It is our hope you will read on and discover that this is not always the case.

SpeakerCraft's constant effort to increase the enjoyment of music and movies in the home has lead us to create a number of products that have changed the way people look at loudspeakers. In fact, our invention of the flush-mounted loudspeaker literally transformed the industry. As we became the premier OEM supplier to many of the most famous brand names in the business, the trend toward near-invisible architectural loudspeakers expanded exponentially. Today, over thirty years later, SpeakerCraft is still the undisputed leader in the category.

Just when everyone thought that flush mounted technology had reached its peak SpeakerCraft has once again raised the bar. In fact, we have made such a tremendous leap forward that other manufacturers have been left scratching their heads. It's about TIME.





IN OUR HANDS

EXPECTATIONS • AESTHETIC • DESIGN • RESULTS

Transformer

TIME, the Theater In Motion Experience seamlessly blends the elements of loudspeaker performance, aesthetic design and automated mechanical technology. The result is a speaker that does not conform to any current definition of what you would expect from a loudspeaker.

TIME is revolutionary. TIME is a speaker that mounts flush with the ceiling, and at the touch of a button on the completely unique TIME remote, TIME's silent micro-motors angle it down to 15, 30 or 45 degrees. Simultaneously, TIME has the ability to rotate 320 degrees in either direction, enabling you to aim it at your desired listening position. This ability to accurately focus the sound dramatically enhances your sonic experience.

TIME puts power and control in your hands. Often, rooms in today's modern houses are multi purposed. The ingenious handheld remote that comes with the TIME controller gives you absolute power to accommodate any listening situation. Having a lively cocktail party but still want to hear Miles in the background? How about a romantic evening at home with a loved one? Or maybe the boys are coming over to watch the game in high def? With the TIME remote preset capability, you have power to create the absolute perfect listening situation with one button.

No longer do you need to decide between aesthetics and performance. TIME gives you unmatched flexibility in any critical listening situation. Its ability to descend and actually enter the listening environment puts it into an entirely new category of loudspeaker. TIME operates both as a near invisible, in-ceiling architectural speaker and as a premium quality floor or shelf speaker. Imagine taking your existing bulky freestanding box speakers, compressing them into 12 inch cylinders, and then sliding them into your ceiling completely out of site when you are finished with them, and all with out losing their sonic integrity! Never before has a speaker offered such flexibility while still maintaining the type of performance you expect. Step up to TIME and experience unrivaled fidelity that disappears when the performance is complete.





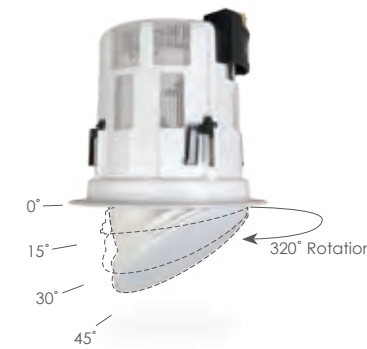
YES - BUT, DOES IT?

QUALITY • LIMITLESS • FLEXIBILITY • ANSWERS

YES.

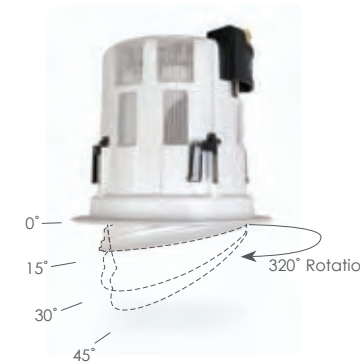
Do TIME speakers mount flush with the ceiling? **YES.** Is a TIME speaker also an in-room cabinet speaker? **YES.** Can TIME speakers be positioned to address multiple seating arrangements? **YES.** Can these positions be adjusted automatically? **YES.** Can multiple TIME speakers be arranged in preset formations and recalled at the touch of a single button? **YES.** Can these positioning adjustments be triggered by other events in the system? **YES.** Can TIME be controlled through RS232 from an AMX or Crestron system? **YES.** Can the TIME system control enough speakers to allow for a complete 5.1, 6.1 or 7.1 surround system? **YES.** Most importantly, do TIME speakers offer the same outstanding audio performance expected from SpeakerCraft? **Of course.**

TIME speakers give you all of the above and more. We here at SpeakerCraft could write volumes about our new product, but now its TIME for you to see for yourself what TIME has to offer you. Visit your local SpeakerCraft representative and ask for a TIME demonstration today. We guarantee you will be entertained and amazed. It's about TIME.



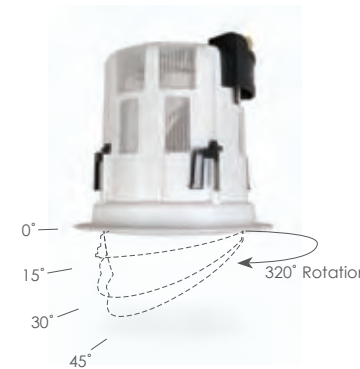
TIME Five

- Descends to 15°, 30°, and 45°
- Rotates 320°
- 1" Aluminum/Magnesium Dome Tweeter
- Timbre-Matched to AIM Five
- Fully Programmable
- Efficiency: 91dB 1W/1m
- Frequency Response: 33Hz - 20kHz ±2dB



TIME Three

- Descends to 15°, 30°, and 45°
- Rotates 320°
- 8" Aluminum Cone Woofer
- 1" Aluminum Dome Tweeter
- Timbre-Matched to All Three Series
- Fully Programmable
- Efficiency: 89dB 1W/1m
- Frequency Response: 37Hz - 20kHz ±2dB



TIME One

- Descends to 15°, 30°, and 45°
- Rotates 320°
- 8" Reinforced Fiberglass Cone Woofer
- 1" Silk Dome Tweeter
- Timbre-Matched to All One Series
- Fully Programmable
- Efficiency: 88dB 1W/1m
- Frequency Response: 40Hz - 20kHz ±2dB



TIME Remote

- Modern Compact Design
- Unique Rotary Wheel for Easy Speaker Selection
- Tilt Angle Presets of 0°, 15°, 30° and 45°
- Three Programmable Angle and Rotation Settings Per Speaker



TIME Controller

A Fully Integrated Controller for Use With TIME Speakers.

- Can be Controlled Via IR and RS232
- Features Rich Hand-Held IR Remote Control (Included)
- Single Rack Design

TIME

The word "TIME" is written in a bold, white, sans-serif font. Below the text is a white graphic element consisting of a horizontal red line, followed by a white inverted triangle pointing downwards.

 SpeakerCraft®

 CEILING
SPEAKERS
www.ceiling-speakers.co.uk



TIME Series

Unique in concept and revolutionary in design, TIME, the Theater In Motion Experience, is the most dramatic advancement in custom audio since we invented the in-wall speaker over twenty years ago. Mounted flush in the ceiling these speakers automatically drop down to a 15°, 30° or 45° angle and then rotate to aim toward any position in the room. Utilizing a remote control and multiple presets, the system can be configured to a variety of seating positions and configurations. This makes the TIME speaker an in-ceiling and in-room loudspeaker in the same package. Why choose between the two when you can have both?

 CEILING
SPEAKERS
www.ceiling-speakers.co.uk



TIME Five

- Descends to 15°, 30°, and 45°
- Rotates 285°
- 1" Aluminum/Magnesium Dome Tweeter
- Timbre-Matched to AIM Five
- Fully Programmable
- Efficiency: 91dB 1W/1m
- Frequency Response: 33Hz - 20kHz ±2dB



TIME Three

- Descends to 15°, 30°, and 45°
- Rotates 285°
- 8" Aluminum Cone Woofer
- 1" Aluminum Dome Tweeter
- Timbre-Matched to All Three Series
- Fully Programmable
- Efficiency: 89dB 1W/1m
- Frequency Response: 37Hz - 20kHz ±2dB



TIME One

- Descends to 15°, 30°, and 45°
- Rotates 285°
- 8" Reinforced Fiberglass Cone Woofer
- 1" Silk Dome Tweeter
- Timbre-Matched to All One Series
- Fully Programmable
- Efficiency: 88dB 1W/1m
- Frequency Response: 40Hz - 20kHz ±2dB



TIME Remote

- Modern Compact Design
- Unique Rotary Wheel for Easy Speaker Selection
- Tilt Angle Presets of 0°, 15°, 30° and 45°
- Three Programmable Angle and Rotation Settings Per Speaker



TIME Controller

A Fully Integrated Controller for Use With TIME Speakers.

- Can be Controlled Via IR and RS232
- Features Rich Hand-Held IR Remote Control (Included)
- Single Rack Design

* LIFETIME Warranty on Speaker Components

* 2 Year Warranty on Electronics

* As we incorporate design improvements, specifications may change without notice