

Be Heard, Not Seen

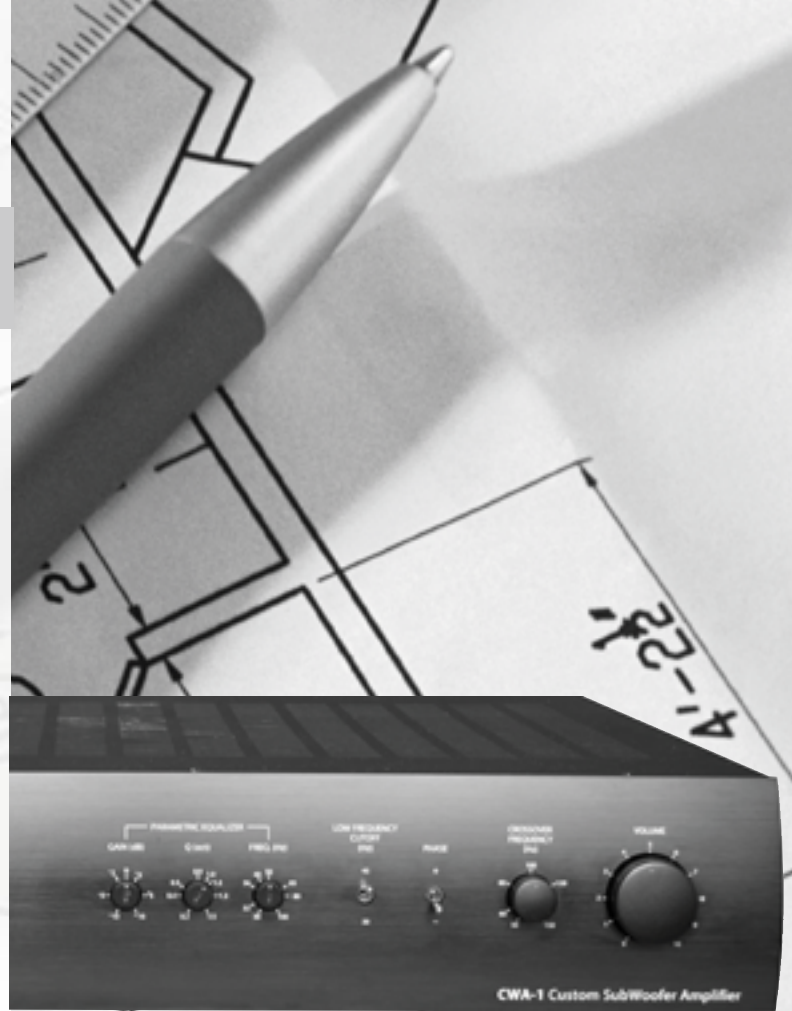
PSB CustomSound In-Wall Subwoofer/Amplifier

CWS8 - Dual 8" Passive In-Wall Speaker System CWA-1 Subwoofer Amplifier/Equalizer

For custom installations specifying in-wall subwoofers, PSB engineered the CustomSound CWS8. Evaluating the in-wall environment, PSB developed a subwoofer design that works well with the limited volume each wall presents and the typically less-than-rigid wall construction. It features high excursion, high power handling dual eight-inch woofers with woven fiberglass cones for the output levels that movie lovers demand. "Dog leg" style mounting clips insure quick and easy mounting. The CWS8 subwoofer shares its mounting frame and dimensions with the PSB companion model CW383 8" 3-way in-wall system. As such they create ideal partners for the ultimate in full range in-wall sound reproduction.

The CWS8 employs carefully engineered driver mass and motor-strength to "take the wall out of the equation," delivering astonishingly powerful but controlled deep bass from a four-inch-deep in-wall, for prodigious extension without stress or distortion, preserving the low-end "slam" critical to high-end home-theater bass.

The CWA-1 power amplifier was designed for use with the CustomSound Series CWS8 and other passive subwoofers. The CWA-1 is a shelf mountable amplifier, stable down to 2 ohms, with continuous power output of 300 watts. The CWA-1 features a full complement of subwoofer controls, such as variable low pass filter, phase switching, low frequency level, two different EQ/extension settings and a high pass output. The 2-position EQ will allow the CWA-1 to suit the CWS8 and other future custom subwoofers, both large and small. A unique feature of the CWA-1 is the parametric equalizer, which can be customized to correct undesirable resonances of the typical listening room. Full adjustment for bandwidth, center frequency and equalizer boost or cut is provided. Custom installers will appreciate the selectable music and voltage sensor triggering, input and output triggers plus built-in, automatic resetting overdrive current protection circuitry.



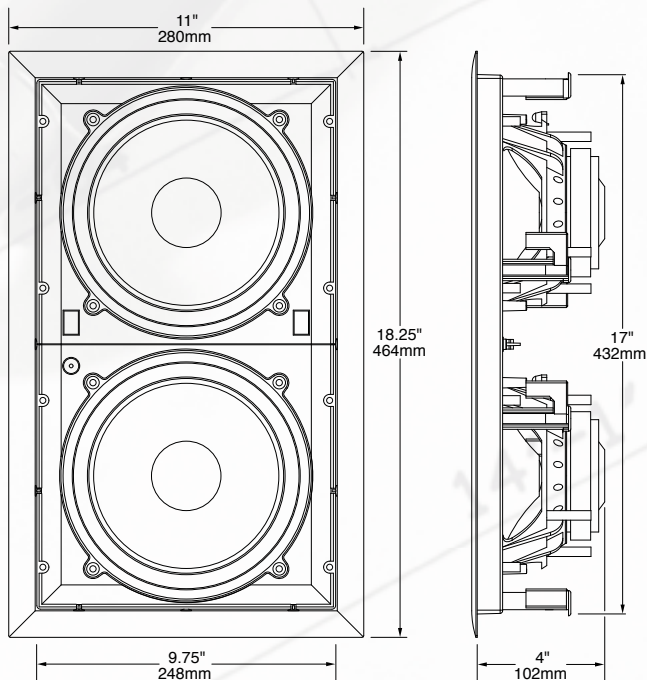
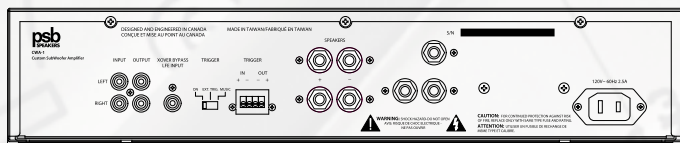
CWS8 - Dual 8" Passive In-Wall Speaker System

- Two Platinum-derived woofers with stiff fiberglass cones, higher cone mass and enhanced motor strength for powerful and controlled bass response
- Fully enclosed back box and new construction bracket (NCB) available

Frequency Range (-6dB):	33-200Hz
Recommended Power:	40-200 Watts
Impedance:	4 Ohms
Sensitivity (1W (2.83V) @1m)	88dB SPL
Anechoic Chamber:	88dB SPL
Typical Listening Room:	90dB SPL
Drivers:	2 x 8" Woofers
Overall Dimensions (W x H x D):	11 x 18 1/4 x 4"
Cut-out Dimensions (W x H):	9 3/4 x 17"

CWA-1 Subwoofer Amplifier/Equalizer

- 300 Watts Continuous Power
- Controls for Level, Low Pass Frequency and Phase
- 2 EQ/extension positions for current and future subs
- 3 Control Parametric Equalizer
- Music or voltage sensor triggering
- Shelf mounting
- 17" x 12 5/8" x 3 3/4" (W x D x H)



Installation Notes

- System optimized when mounted closest to floor level.
- If mounted in same wall cavity as upper range speaker then a partition header or back box is desirable.
- Changing the volume of the deep wall cavity behind the speaker and the position of the speakers within the room will have an effect on bass level and frequency response.
- Make small exploratory hole and check for obstructions in wall cavity before cutting mounting hole.
- Mounting template provided.
- Lightly fill wall cavity with fiberglass 2 feet above and below system. Use standard 4" fiberglass split to half thickness.
- Adjust electric screwdrivers to appropriate torque. Tighten mounting screws firmly but do not over tighten!
- Use crossover point, phase switch and other controls to achieve best blend with main system. Set bass to realistic level. (consult manual)
- See manual for more installation hints.

To Reach US Customer Service dial 1 888 772 0000 ext 4445 or 4342