

Be Heard, Not Seen

PSB CustomSound In-Wall Speaker System

CW180R / CW180S 8" Coaxial Speaker System

The CW180R/CW180S provides a high performance in-wall CustomSound solution for in-ceiling and space restricted installations. Clever engineering and world-class industrial design combine in the PSB CW180 coaxial in-wall loudspeakers. Special attention has been paid to the issue of aiming sonic energy toward the listener without forfeiting sonic integrity. Available in round or square versions (CW180R and CW180S) each employ the same Platinum-derived eight-inch woofer and dome tweeter as the CW383, re-engineered for a two-way layout. The PSB coaxial in-walls use a unique high frequency, constant directivity SonicGuide™ that is gimbaled to angle in any direction. The SonicGuide™ is a proprietary extensively adjustable and aimable, multipart flare attached to a 1" metal dome tweeter. Its contours and dimensions are designed such that it provides very even response with little variation both on and off axis. It also increases the directivity of the tweeter so that the listener hears transparent, naturally focused sound. Equally important, SonicGuide reduces "backwards" tweeter energy that otherwise reflects from the woofer cone, thus eliminating a serious response error that plagues virtually every other "coax" speaker. The SonicGuide can be tilted 30 degrees left or right and the whole assembly turned through 90 degrees.

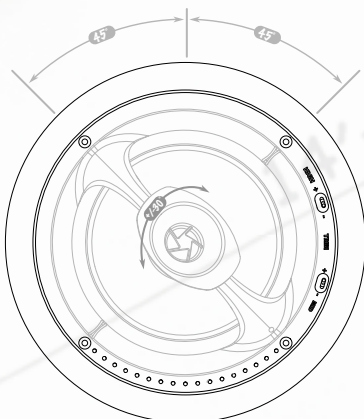
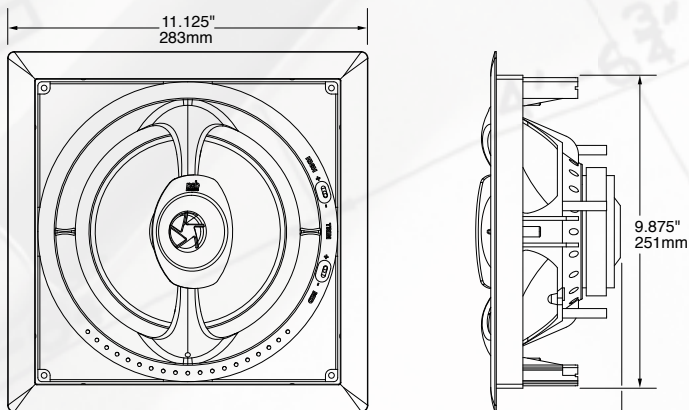
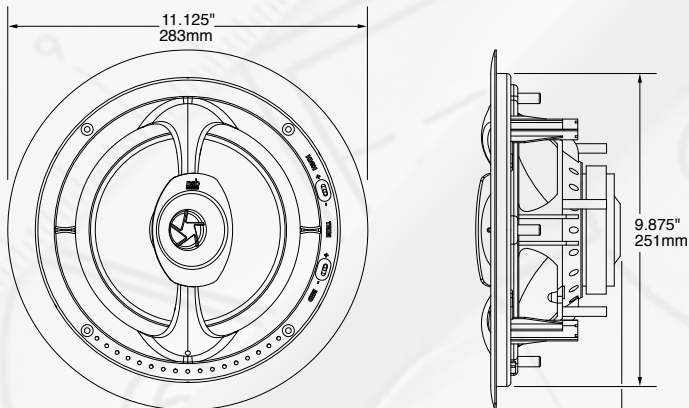
"Dog leg" style mounting clips insure quick and easy mounting. Two response tailoring switches provide adjustment to midrange and tweeter levels. Whether mounted in the wall or in the ceiling the system's response can be directed toward the listener for best possible sound. The result is very natural sound quality and great installation versatility.



CW180R / CW180S 8" Coaxial Speaker System

- Platinum-derived 8" woofer and 1" tweeter
- Unique high-frequency, constant directivity SonicGuide™ gimbals to provide a focused, even response both on and off axis
- SonicGuide™ can be tilted 30° left or right and the whole assembly turned through 90 degrees
- Fully enclosed back box NCB available
- Midrange and tweeter switches allow for response adjustments

Frequency Range (-6dB):	38-21,000Hz
Recommended Power:	20-100 Watts
Impedance:	8 Ohms
Sensitivity (1W (2.83V) @1m)	
Anechoic Chamber:	88dB SPL
Typical Listening Room:	90dB SPL
Drivers:	8" Woofer 1" Dome Tweeter
Overall Dimensions (W x D):	11 1/8 diameter x 4"
Cut-out Dimensions (W):	9 7/8" diameter
Overall Dimensions (W x H x D):	11 1/8 x 11 1/8 x 4"
Cut-out Dimensions (W x H):	9 7/8 x 9 7/8"



Installation Notes

- Optimum installation height (CW180S) is between seated and standing ear level position.
- Distance between left and right speakers (CW180S/R) should approximately equal the distance from the listening area to the wall or ceiling.
- Make small exploratory hole and check for obstructions in wall cavity before cutting mounting hole.
- Mounting template provided.
- Lightly fill wall cavity with fiberglass 2 feet above and below system (CW180S). Use standard 4" fiberglass split to half thickness. Use 1" thick fiberglass behind system.
- Adjust electric screwdrivers to appropriate torque. Tighten 4 mounting screws firmly but do not over tighten!
- SonicGuide tweeter can be turned +/- 45 degrees via the gimbal ring, then +/- 30 degrees on its axis (see illustration on left).
- Aim tweeter toward center of listening area via SonicGuide and gimbal ring.
- Switches give subtle balance adjustments for midrange and treble. Set to suit room acoustics and personal taste.
- See manual for more installation hints.

To Reach US Customer Service dial 1 888 772 0000 ext 4445 or 4342